

# SCTA—Source Capture Telescopic Arms

## Specifications and Technical Data

### TYPICAL APPLICATIONS

#### Source Capture of:

- Welding Smoke and Fumes
- Grinding Dust
- Powders
- Other Dry Dusts

### Features:

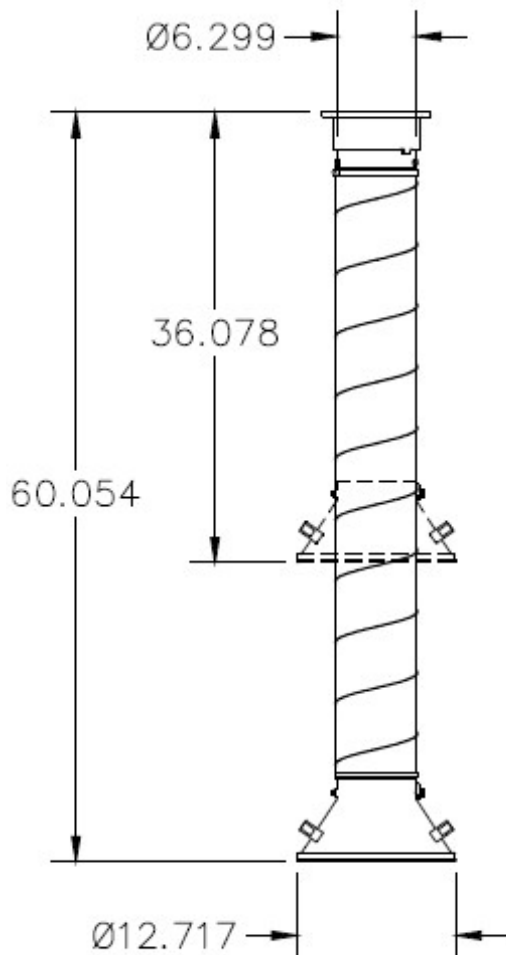
- Industrial Strength Construction
- Versatile Design
- Telescoping Length Up to 5 Feet
- Hood Grab Handle
- Integral Airflow Damper
- Swivel Base

### Benefits:

- Withstands Rigors of Industrial Use
- Ease of Operation
- Fully Adjustable Positioning
- Adjustable Length for Tighter Work Areas

### Specifications:

- SCTA 6" Diameter
- Working Range 36" - 60" Length



L3132—3/25