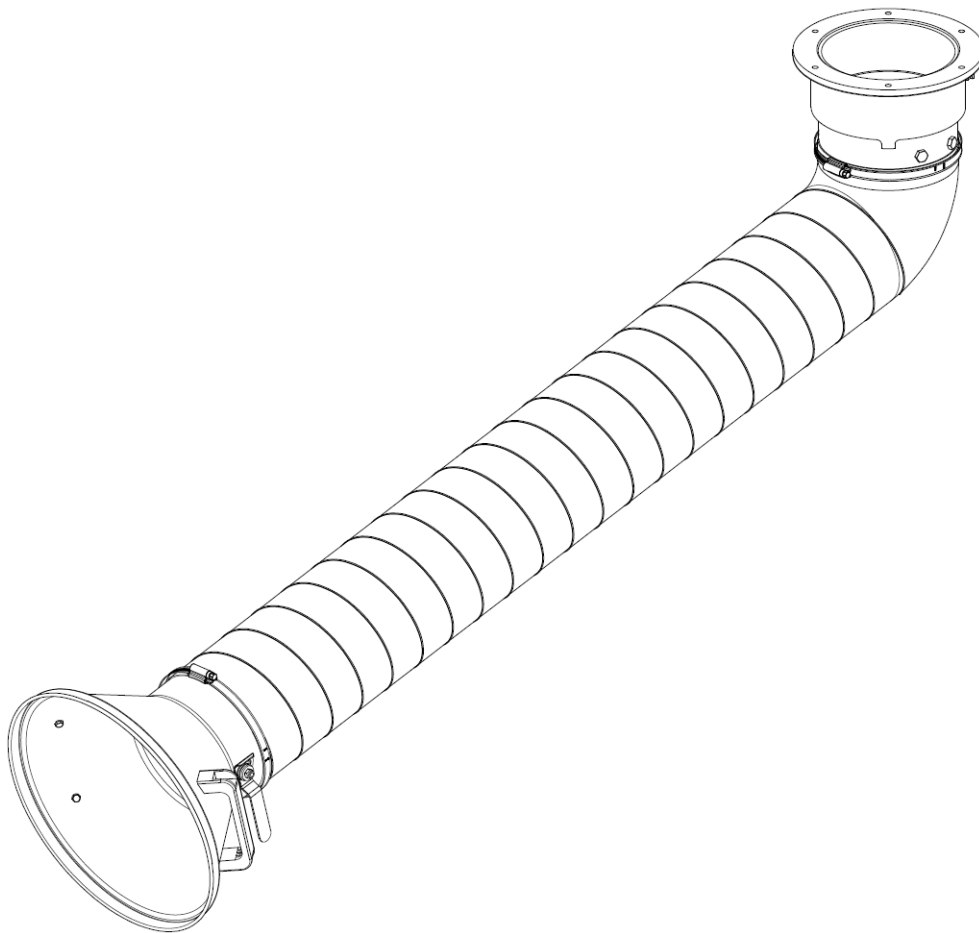




SOURCE CAPTURE TELESCOPIC ARM

Installation and Operation Manual



This manual contains specific cautionary statements relative to worker safety. Read this manual thoroughly and follow as directed. It is impossible to list all of the hazards of dust control equipment. It is important that use of the equipment be discussed with a Micro-Air Representative. Persons involved with the equipment or systems should be instructed to operate in a safe manner.

WARNINGS:



Improper installation or operation of this equipment can cause damage to equipment and / or injury to personnel. The installation / operation manual must be read and followed in its entirety.



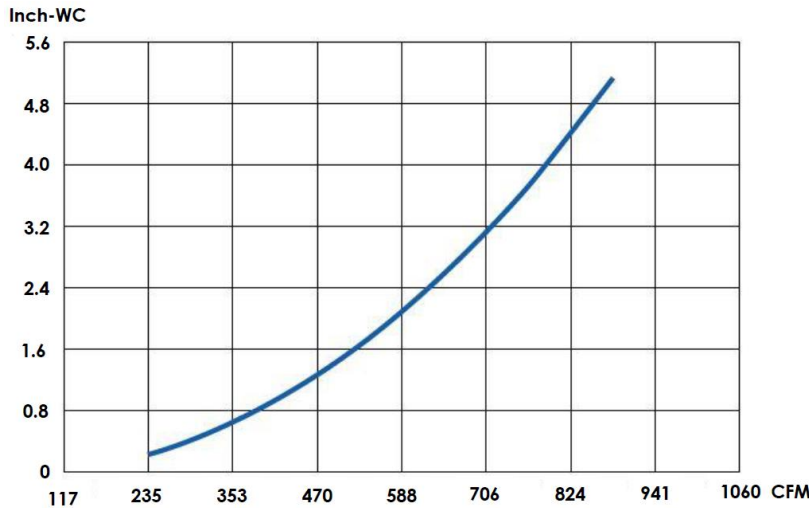
Do not extract smoke or fumes above 175°F (80°C).

PRE-OPERATING INSTRUCTIONS:

1. Inspect the arm for any visible damage that may have occurred during shipment. Report any damage to the delivery carrier.
2. Open cardboard carton and remove unit. Remove packaging support from arm assembly.
3. Verify that all components were received. Compare to the parts list description. If a component is missing, contact your Micro Air representative.

MODEL SCTA SPECIFICATIONS:

Airflow: See Flow Curve
 Working Range: 36" – 60"
 Max. Temperature: 175°F
 Weight: 25 lbs.



PACKAGE CONTENTS:

- | | |
|--------------------------|------------------------|
| 1 Ea. 6" Telescopic Arm | 8 Ea. 3/8" Washer |
| 1 Ea. 6" Gusset Assembly | 6 Ea. 1/4-20 Bolt |
| 4 Ea. 3/8-16 Bolt | 6 Ea. 1/4-20 Hex Nut |
| 4 Ea. 3/8-16 Hex Nut | 6 Ea. 1/4" Lock Washer |
| 4 Ea. 3/8" Lock Washer | 12 Ea. 1/4" Washer |
| A/R Sealing Foam | |

EQUIPMENT / TOOLS REQUIRED:

- Imperial Sockets or Wrenches
- Metric Sockets

DIMENSIONS:

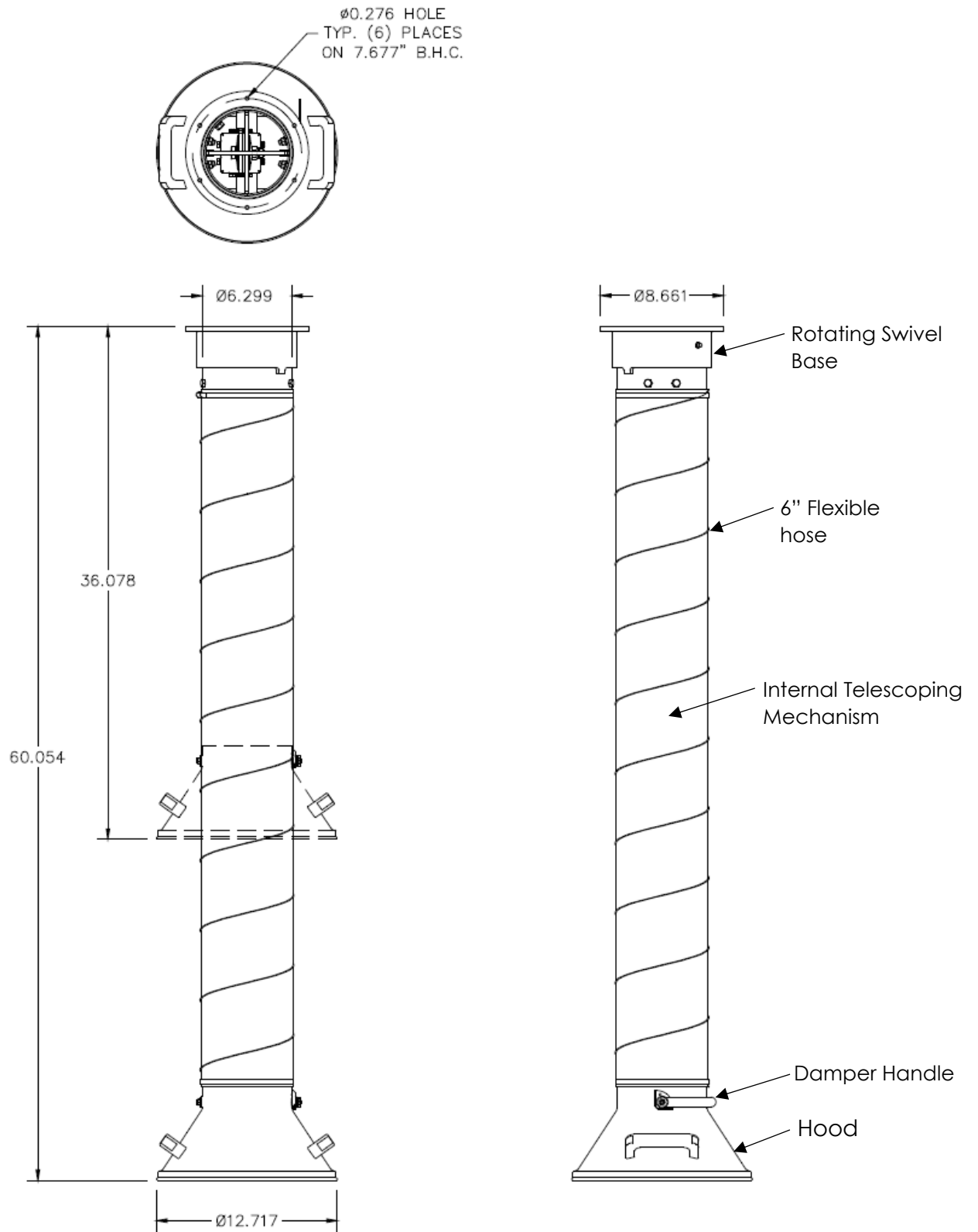
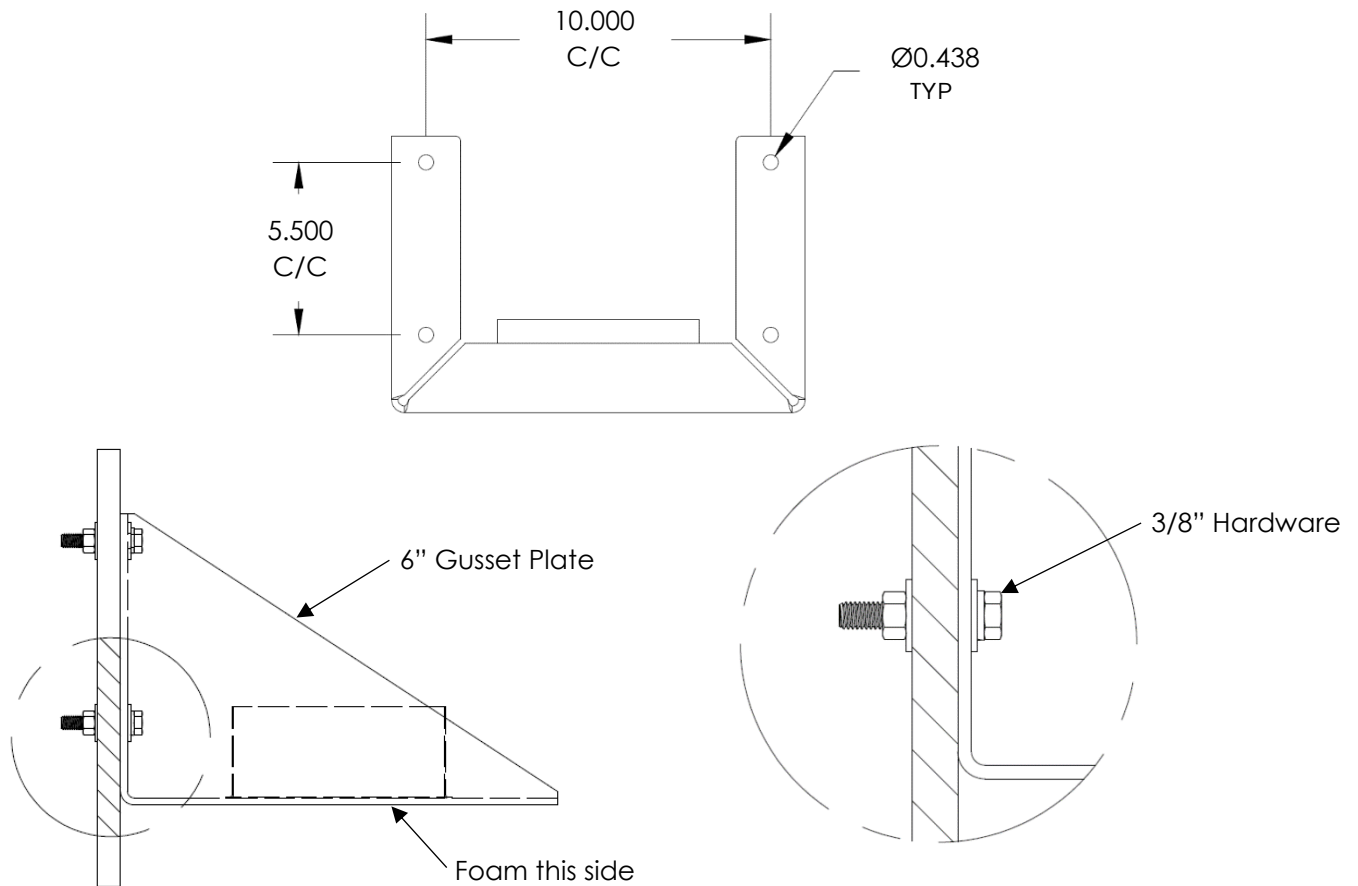


FIG. 1

INSTALLATION INSTRUCTIONS:

CAUTION: Typical installation requires that the arm and gusset assembly be mounted to a wall. Ensure that the wall is structurally sufficient to support the arm assembly when installed.

1. Determine the location where the arm assembly will be installed.
2. Drill holes into wall or support that align with the gusset. Attach the gusset to the wall using 3/8" hardware provided (See **FIG. 2**).

**FIG. 2**

3. Apply sealing foam to the bottom side of the gusset plate assembly.
4. Attach the arm assembly to the gusset assembly as shown in **FIG. 3**. It is recommended that two (2) people perform this step; one to support the arm assembly, while the other attaches hardware to clamp the arm assembly onto the gusset assembly.

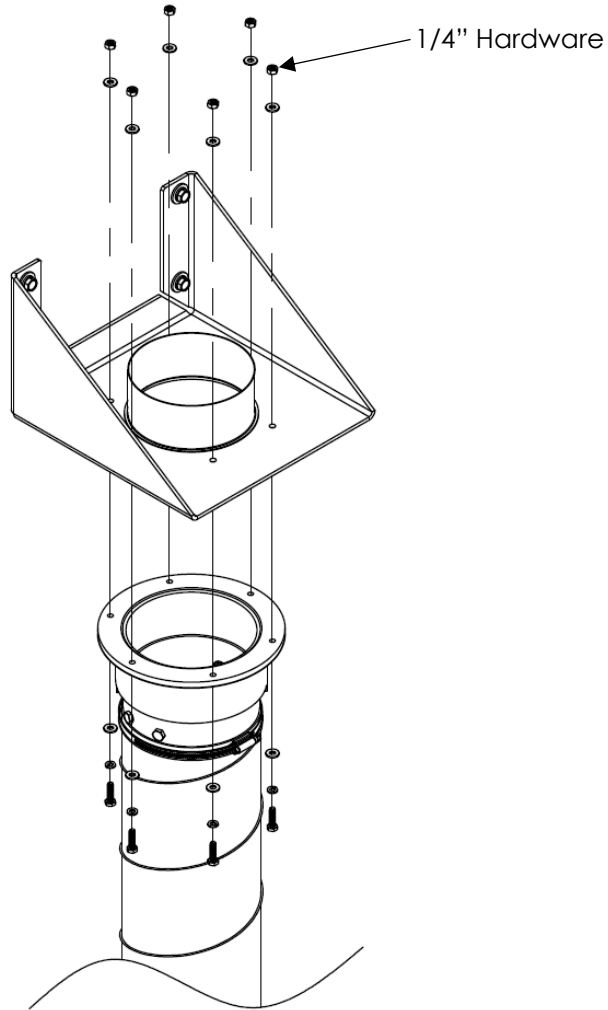


FIG. 3

OPERATION:

1. Upon completion of installation, the SCA should appear similar to the system shown in FIG. 4.

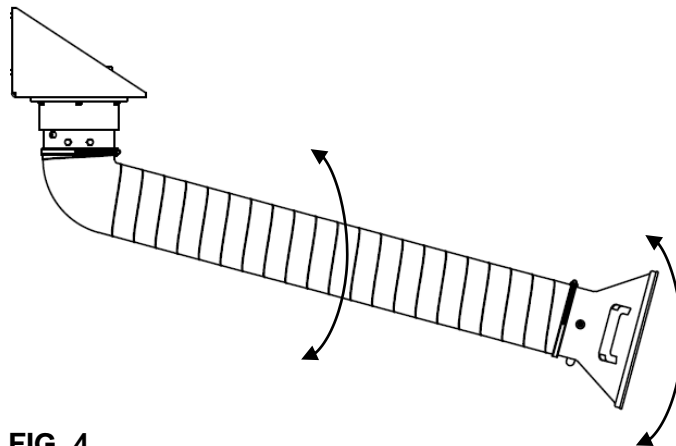


FIG. 4

2. Adjust the joints. Grasp the hood handles and lift the arm up and down. If the joint is too tight or too loose, simply adjust the lock hex nut as needed. Loosen the hose clamps and move hose out of the way. Use 22mm socket or wrench to adjust the joint (i).
3. Adjust the telescopic mechanism. Slide the arm up and down. Use 10mm socket or wrench to adjust bolts on each joint (ii). **DO NOT** adjust beyond perceptible resistance as this may damage the telescopic support tube.
4. Grasp the hood handles and rotate the hood. If the joint is too tight or too loose, simply adjust the lock hex nut as needed. Use 17mm socket or wrench to adjust the joint (iii).
5. The damper lever at the hood can be rotated 90 degrees to adjust the inlet air velocity. Rotate the handle (v) to adjust.

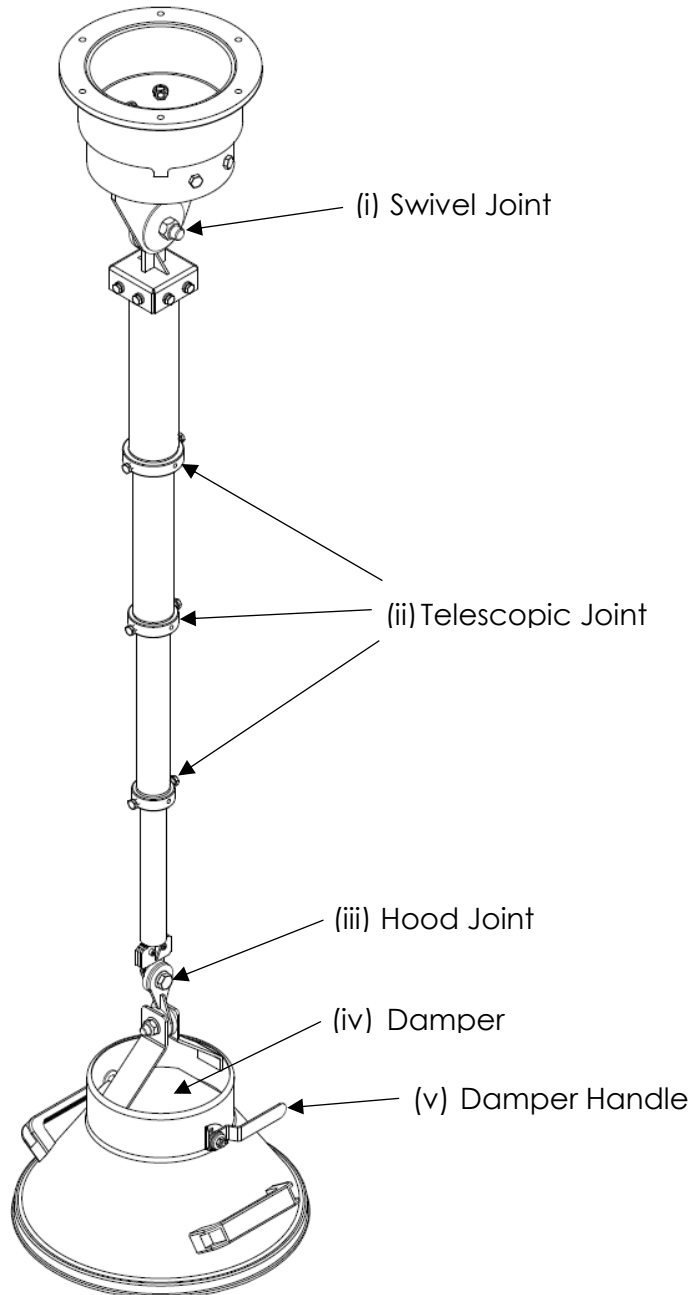


FIG. 5

GENERAL MAINTENANCE:**Daily**

- Clean out any debris from the inner surface of the hood.
- Adjust any loose joints.

Once per month

- Grease the rotating socket with bearing grease listed to not react with Aluminum.

Once per 3 months

- Inspect the condition of the flexible hose for any rupture that will allow air to flow through.
- Inspect hardware for loose nuts and bolts around the swivel base area. Tighten as needed.

TROUBLESHOOTING:

CAUTION: Before disassembling the unit or doing any inspecting of the parts, make certain that the power has been cut off and the blower has come to a complete stop.

TABLE 1 – Troubleshooting Chart

PROBLEM	POSSIBLE CAUSE	REMEDY
Vibration	Loose mounting hardware Foreign objects in blower	Tighten bolts Remove debris from blower
Inadequate Capture Velocity	Internal Obstruction	Check if Damper is open Check inlet for blockage Check hose for proper connection Check hose for holes
Stronger resistance during Rotation of the arm	Lack of lubrication in the rotating socket	Grease the rotating Socket
Arm will not stay where placed	The joints are loose	Tighten the joints.

SCTA PARTS LIST:

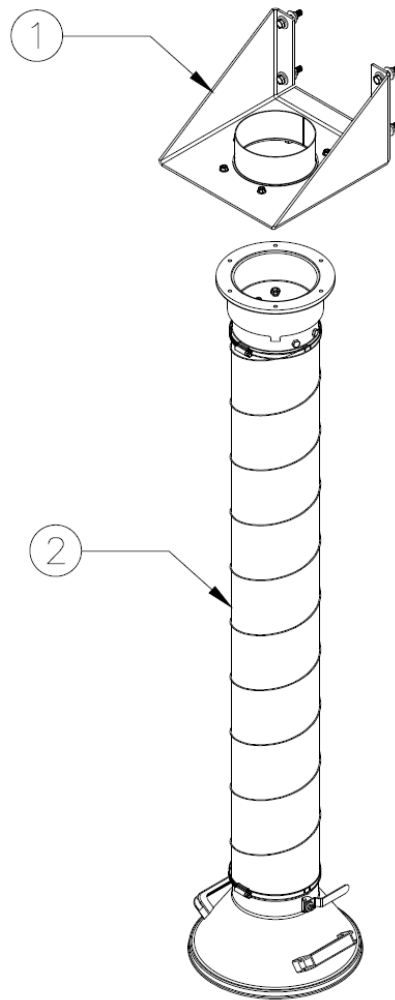


FIG. 6

ITEM	PART NO.	DESCRIPTION
1	37110-02	6" Gusset Assembly
2	P7270	6" Telescopic Arm

